

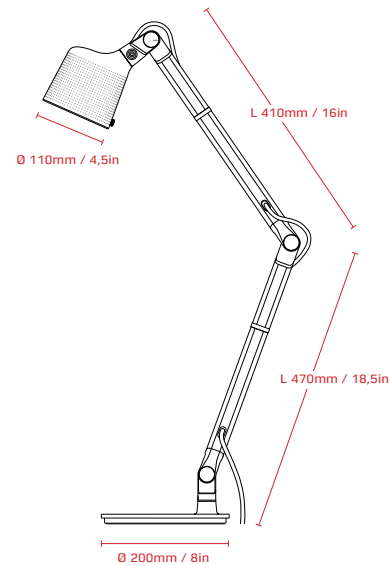
CONGRATULATIONS ON YOUR VIPP LAMP

A Vipp product is crafted from more than a quarter of a century of experience in creating timeless tools for the home. Designed and manufactured by Vipp, the lamps have a unique cohesion combining quality, functionality and design.

As all Vipp products, a Vipp lamp is made to last for at least as long as the 76-year-old Vipp pedal bin, timeless in its aesthetics, impeccable in its function and valued for the joy inherent in its daily use. We hope you will enjoy your Vipp lamp for many years to come.



Kasper Egelund
CEO of Vipp

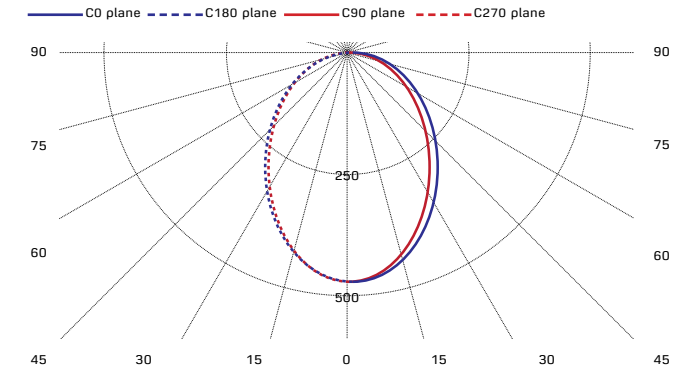


VIPP521 TABLE LAMP (CE APPROVED)

Design	Vipp
Materials	Powder-coated aluminium, stainless steel, fabric-covered cord
Colour	Black
Weight	4,3 kg
IP classification	20

Product description

The five-piece Vipp lamp series for floor, ceiling, wall and table is the result of more than 75 years of metalwork experience combined with an ambition to rid the world of disposable products and fill it with timeless tools. The Vipp lamp series is adapted to the fast development in LED light performance with an interchangeable LED light source. This allows you to always update your Vipp lamp to the best light quality and gives you a lamp that is timeless in both design and function.



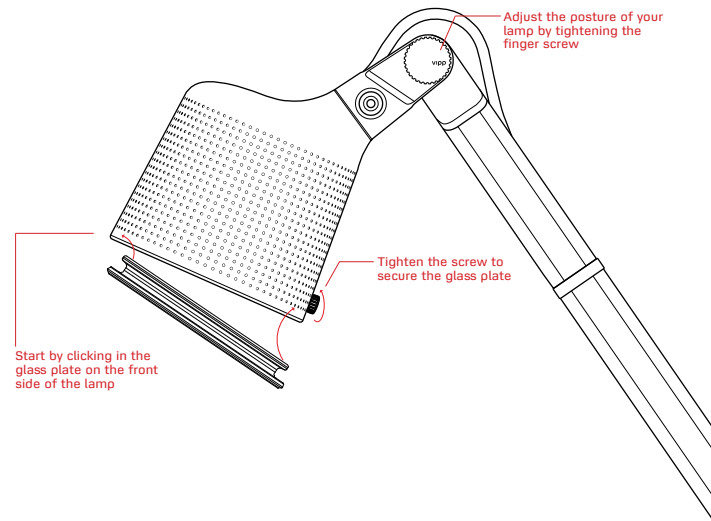
Light source E14 max 22 Watt
Compatible with bulbs of the energy classes A++ - E
LED light bulb included

For lighting instructions please visit vipp.com



LIGHT BULB CHANGE

Attention: Switch off the power supply before any operation such as replacement of the lamp, cleaning, connection to mains etc



VIPP CARE INSTRUCTIONS

Care instructions for powder-coated steel surfaces

Keep powder-coated steel surfaces clean and dry. Use a lintfree cleaning cloth or a soft brush with warm water and a mild detergent.

Tips for stains

Use alcohol or glass cleaner to remove grease stains.

VIPP WARRANTY

Vipp offers a two-year warranty on your lamp. The warranty presupposes rightful use as described in Vipp's care instructions. The warranty does not cover defects or damage caused directly or indirectly by misuse or poor maintenance, violence or manipulation. Note that the external fabric-covered cord of the lamp cannot be replaced. If the cord is damaged, the lamp must be discarded. In case of a defective product, please contact your place of purchase.

For questions regarding your Vipp product.

Vipp Customer Service

Europe | info@vipp.com | +45 4588 8800
US | vippusa@vipp.com | +1 (917) 580 2148

VIPP521
TABLE LAMP (CE APPROVED)

